

PH 3/2 Wall

The fixture is designed based on the principle of a reflective three-shade system, which directs the majority of the light downwards. The shades are made of mouth-blown opal three-layer glass, which is shiny on the top and sandblasted matt on the inside, giving a soft and diffuse light distribution.



Product info

Mounting

Cable length: 2.9m. Light control: On wall plate.

Finish

White opal glass. High lustre chrome plated.

Materials

Shades: Mouth-blown white opal glass. Top plate: High lustre chrome plated, spun brass. Wall box: High lustre chrome plated, spun brass. Arm: High lustre chrome plated, brass.

Sizes and weights

Width x Height x Length (mm) | 290 x 235 x 367 Max 2.2 kg

Class

Ingress protection IP20. Electric shock protection II w/o ground.

Specification notes

The innovation of light sources is ongoing. Consequently we only inform about the max. wattages. On www.louispoulsen.com we update a list of recommendable light sources.

Light source

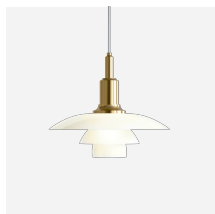
1x40W 1x40W E14



Product family



PH 3/2 Table



PH 3/2 Pendant



PH 3/2 Academy

Product variants

Light source

1x40W 1x40W E14

Design

Poul Henningsen

Weight

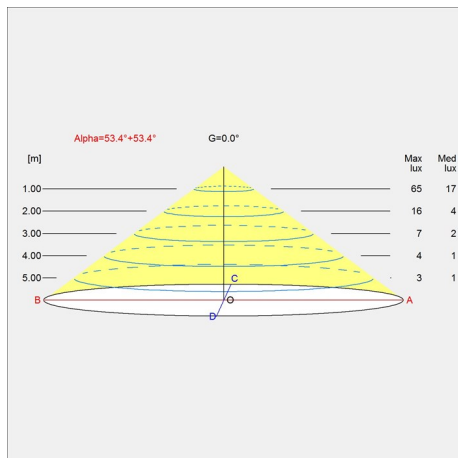
2.162

Finish

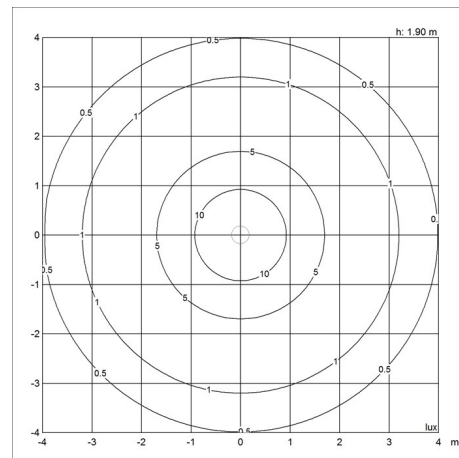
White opal glass

Light distribution diagrams

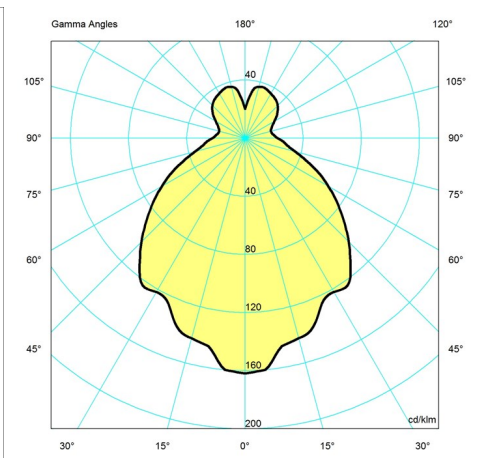
Cartesian



Isolux



Polar



Spare parts & accessories

Product	Variant number
PH 3-2, middle shade glass	5741481598
PH 3-2, lower shade glass	5741481608
PH 3-2, Table/Wall top shade glass	5741481585